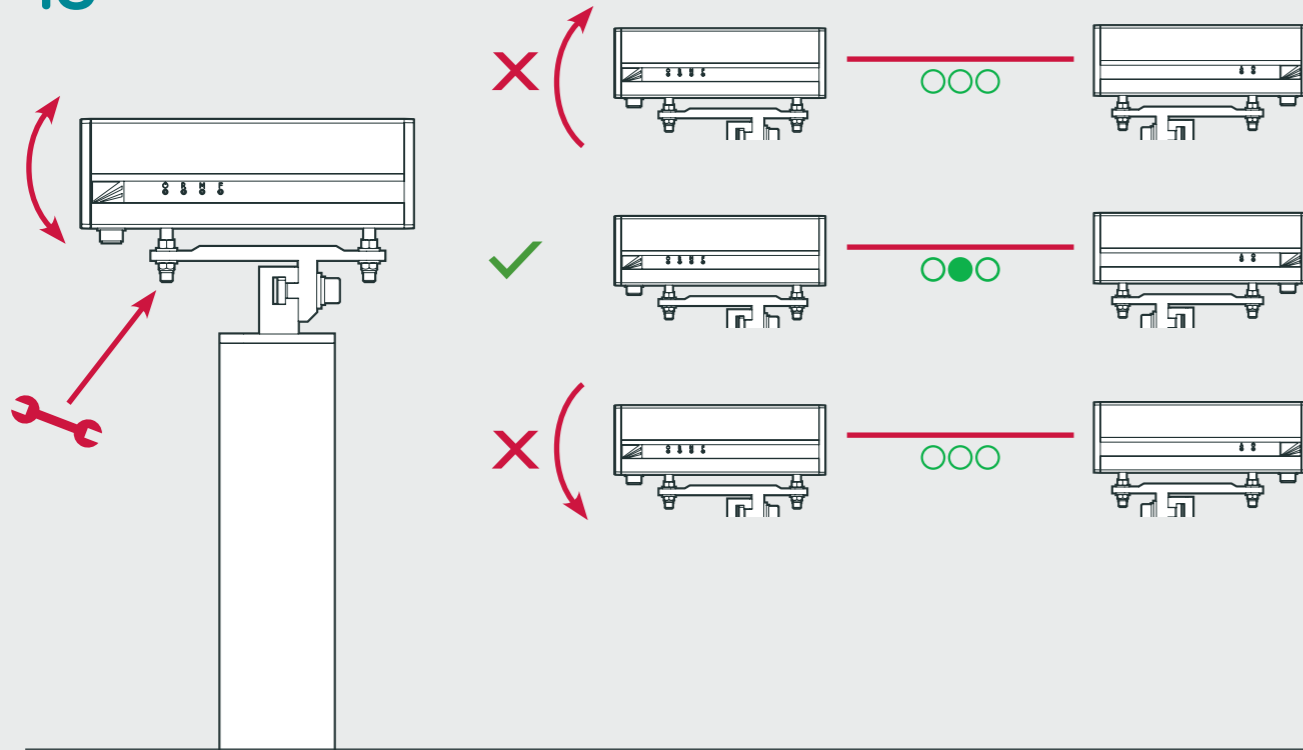
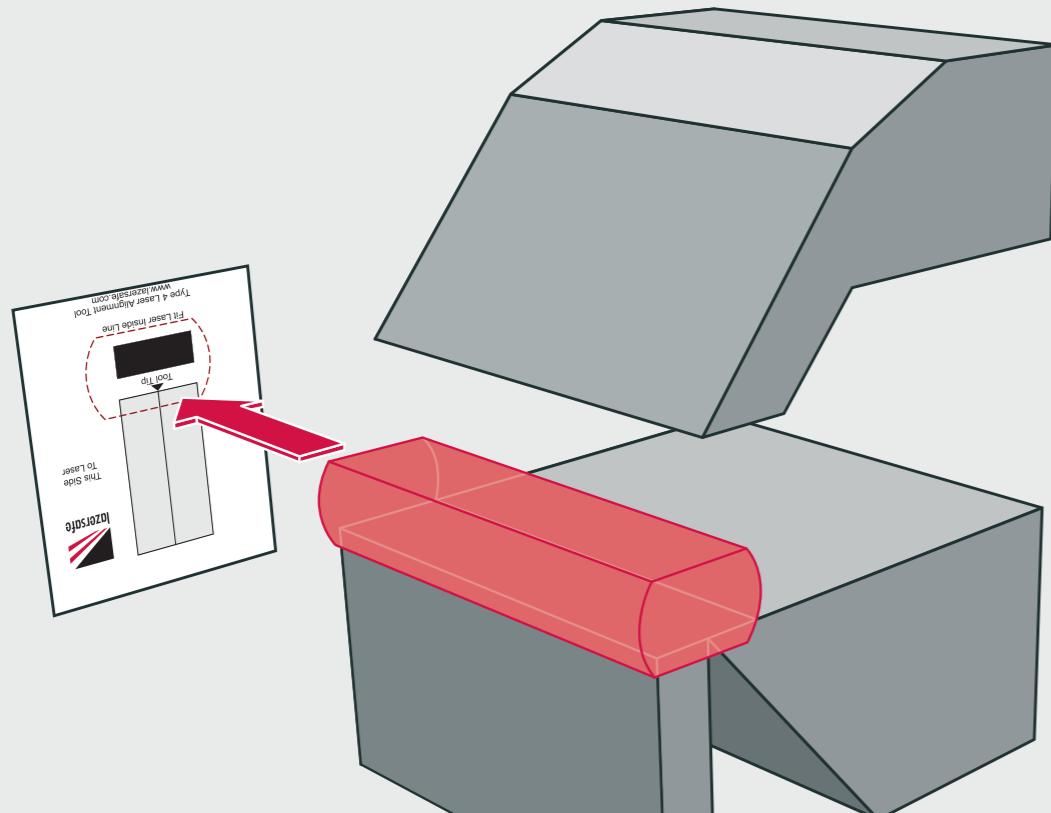


10



11

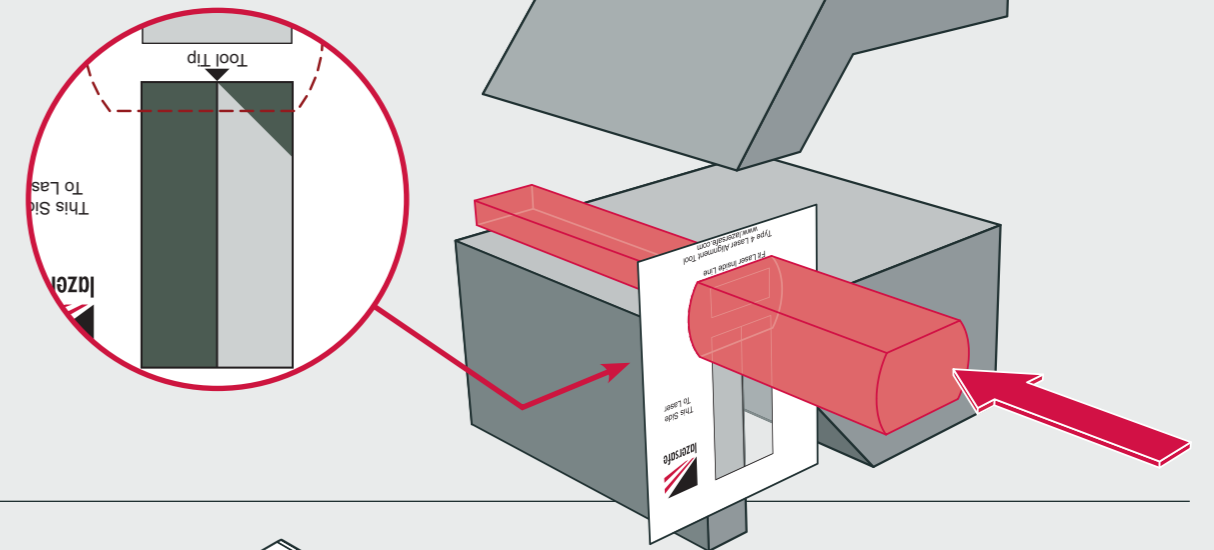


# Folding Machine Alignment Guide

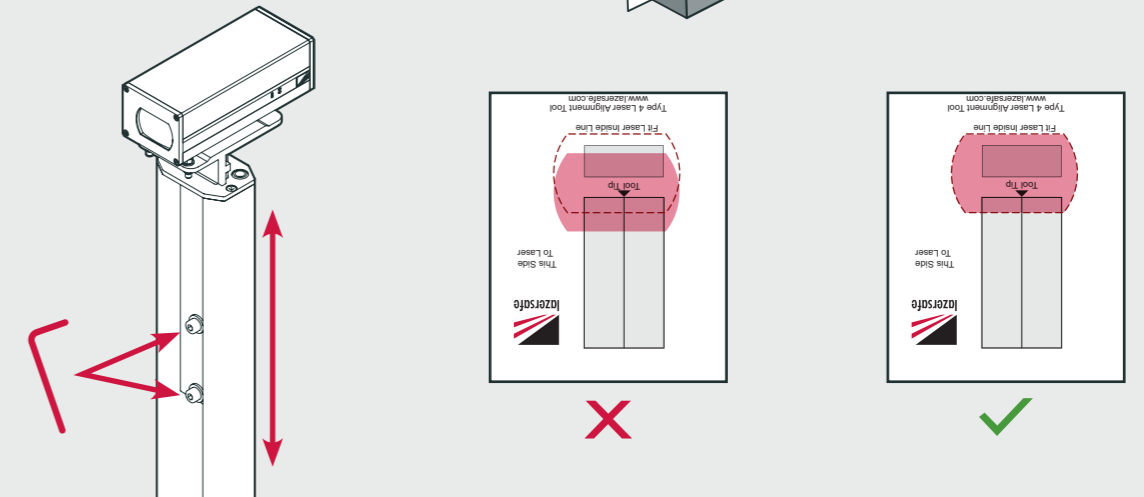
LS-CS-M-051 REV 3.0

FOR USE WITH  
FOLDGUARD  
LZS-2-FG

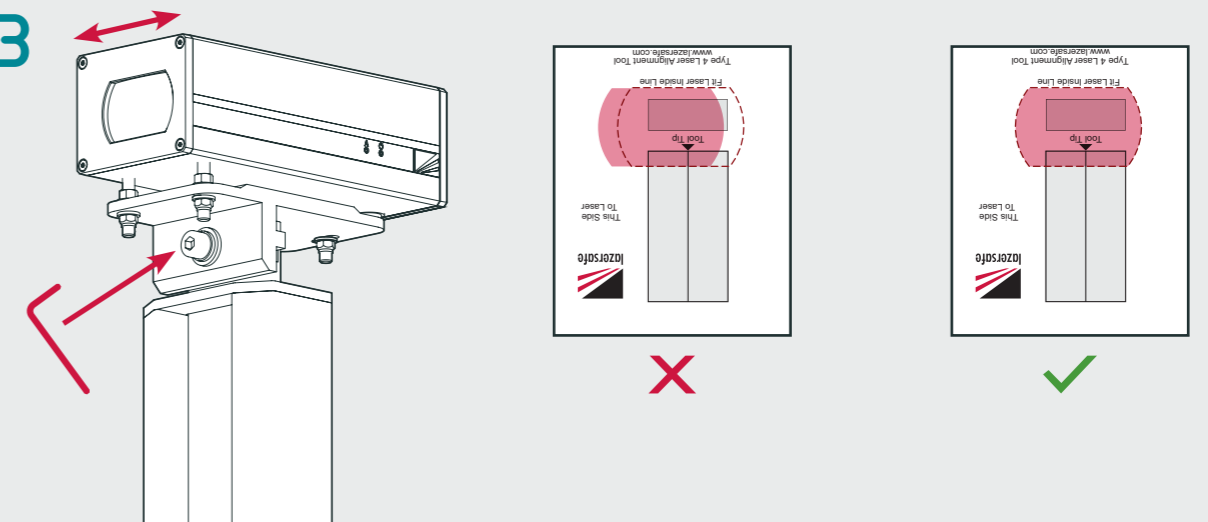
01



02



03



Performance without compromise.™

27 Action Road, Malaga WA 6090, Australia

PO Box 2368, Malaga WA 6944, Australia

+61 8 9249 4388

+61 8 9249 6011

info@lazarsafe.com

lazarsafe.com

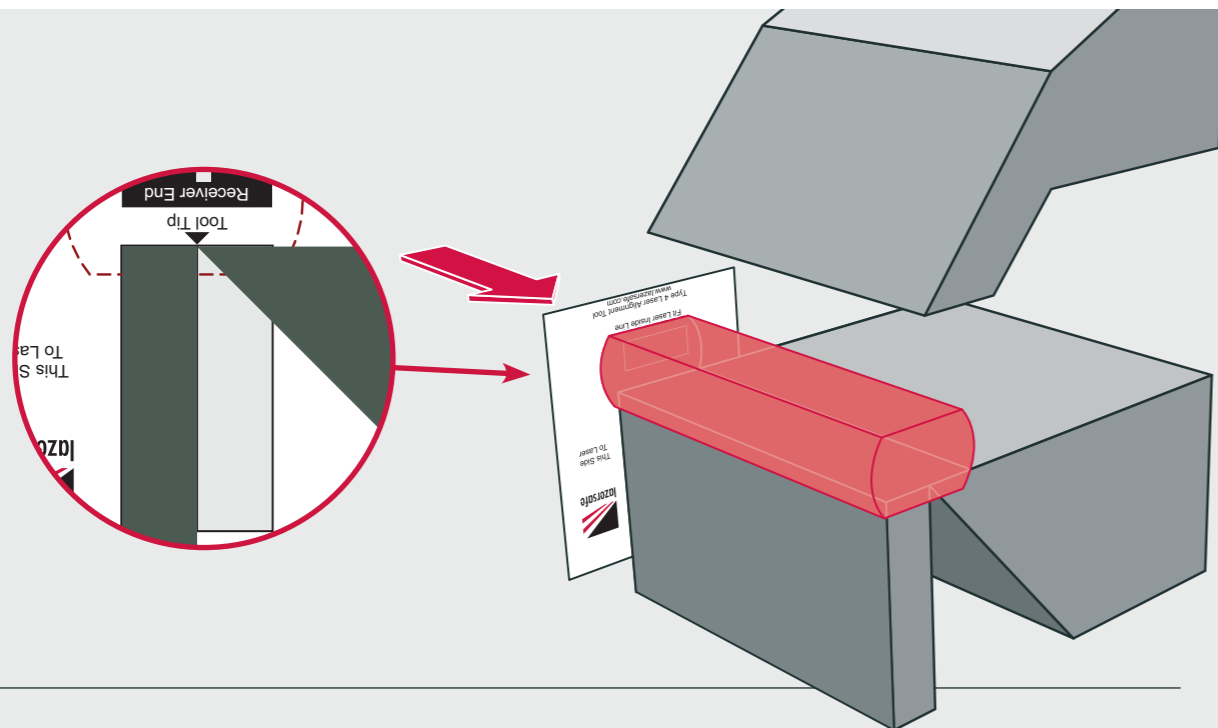
LS-CS-M-051 REV 3.0

"Lazer Safe" and "FoldGuard" are trademarks of Lazer Safe Pty Ltd.

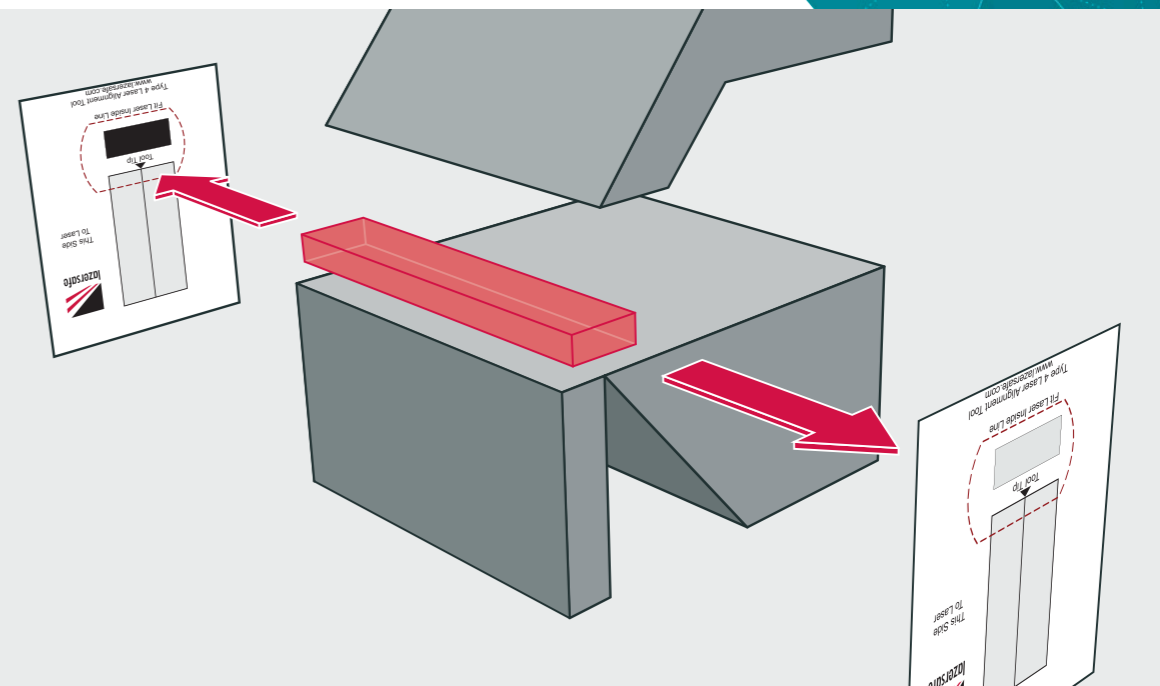
# Folding Machine Alignment Guide



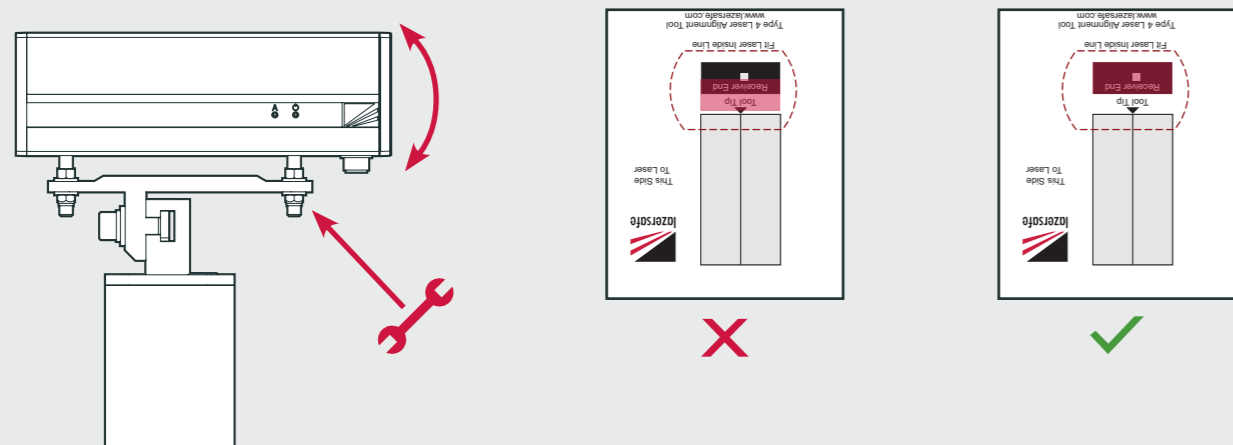
04



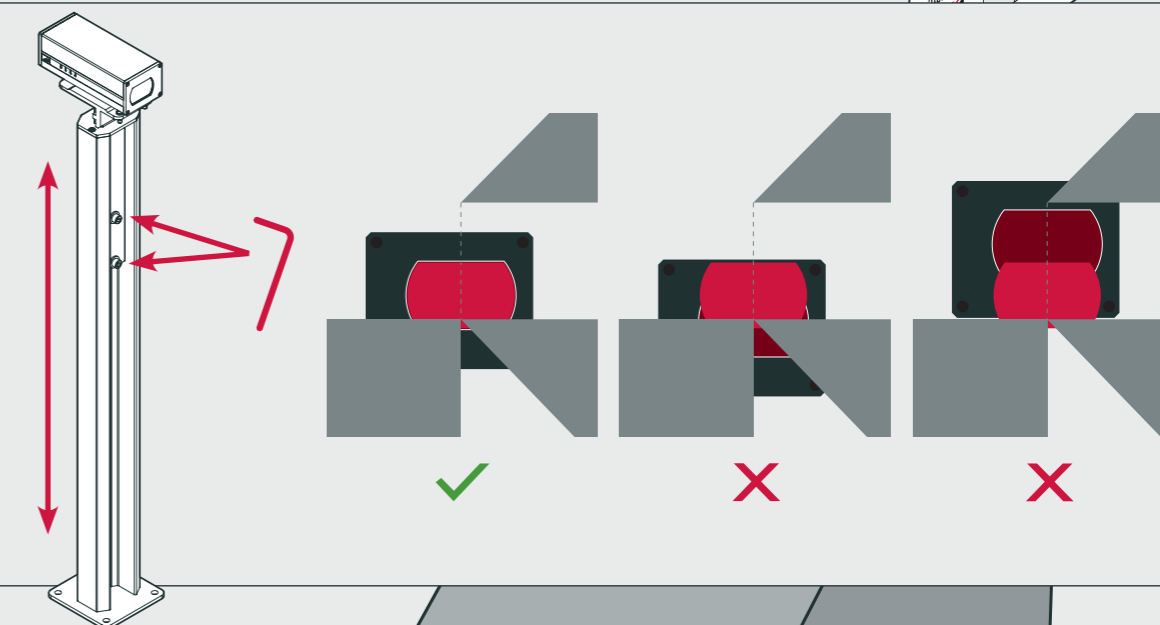
07



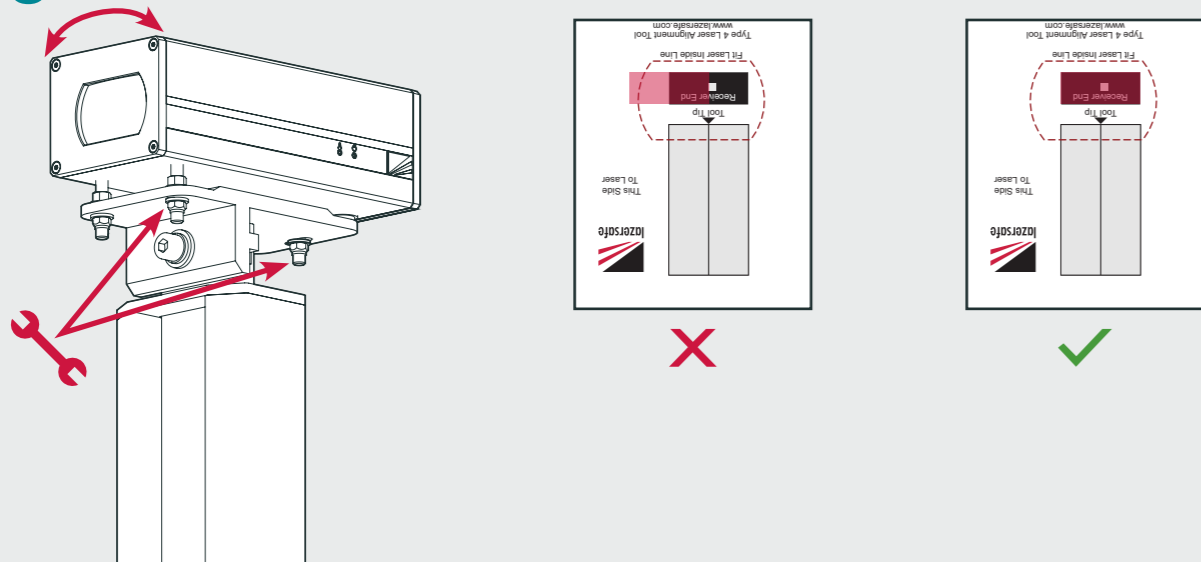
05



08



06



09

